

01\_Intro

Date: A2286\_Baby\_R8\_1.kicad\_sch

02\_1 MB DRAM

Date: A2286\_Baby\_R8\_2.kicad\_sch

03\_BIOS EPROMS, PARITY LOGIC

Date: A2286\_Baby\_R8\_3.kicad\_sch

04\_FDC & DECODING LOGIC

Date: A2286\_Baby\_R8\_4.kicad\_sch

05\_RTC, KEYBOARD CONTROLLER

Date: A2286\_Baby\_R8\_5.kicad\_sch

06\_Connectors

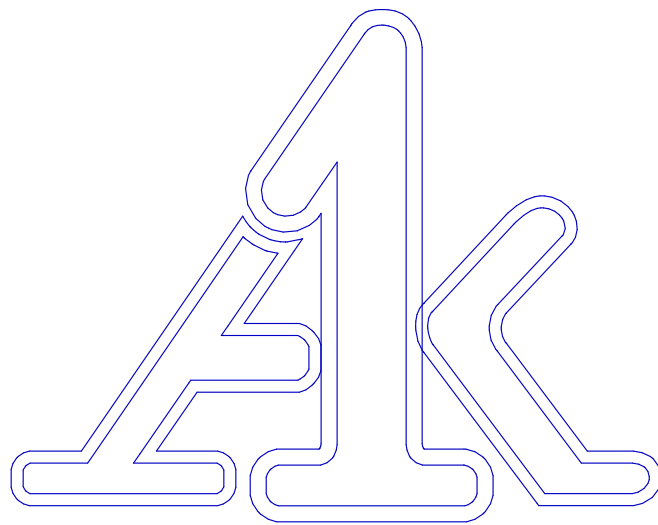
Date: A2286\_Baby\_R8\_6.kicad\_sch

07\_BLOCK CAPS

Date: A2286\_Baby\_R8\_7.kicad\_sch

Sheet: /		
File: A2286_Baby_R8.kicad_sch		
<b>Title:</b>		
Size: A3	Date: 2024-03-30	Rev:
KiCad E.D.A. 8.0.1		Id: 1/8

SCHEMATIC AT SANDWICH BOARD  
REV. 5



REDRAWN GONZO/A1k

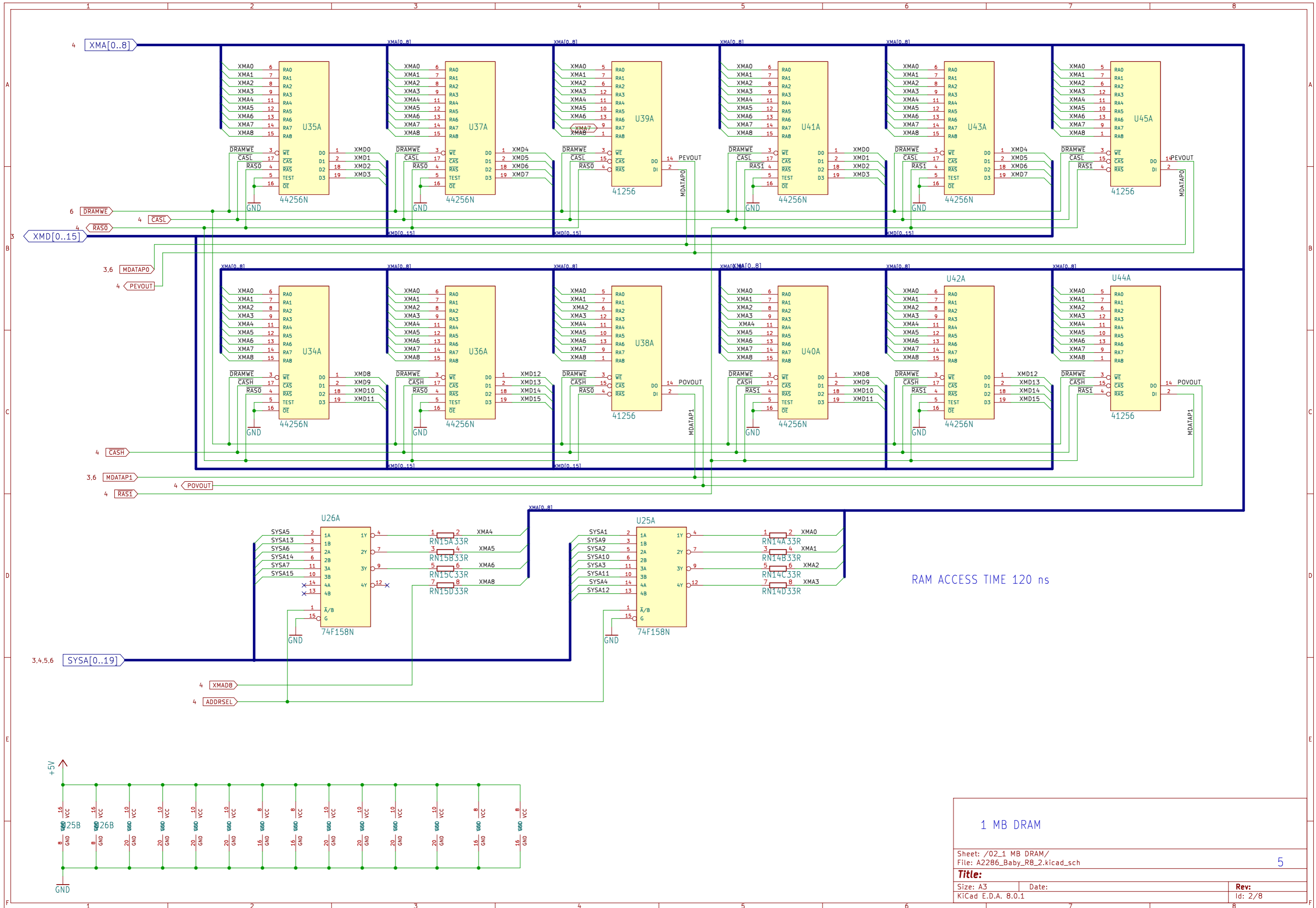
Sheet: /01\_Intro/  
File: A2286\_Baby\_R8\_1.kicad\_sch

**Title:**

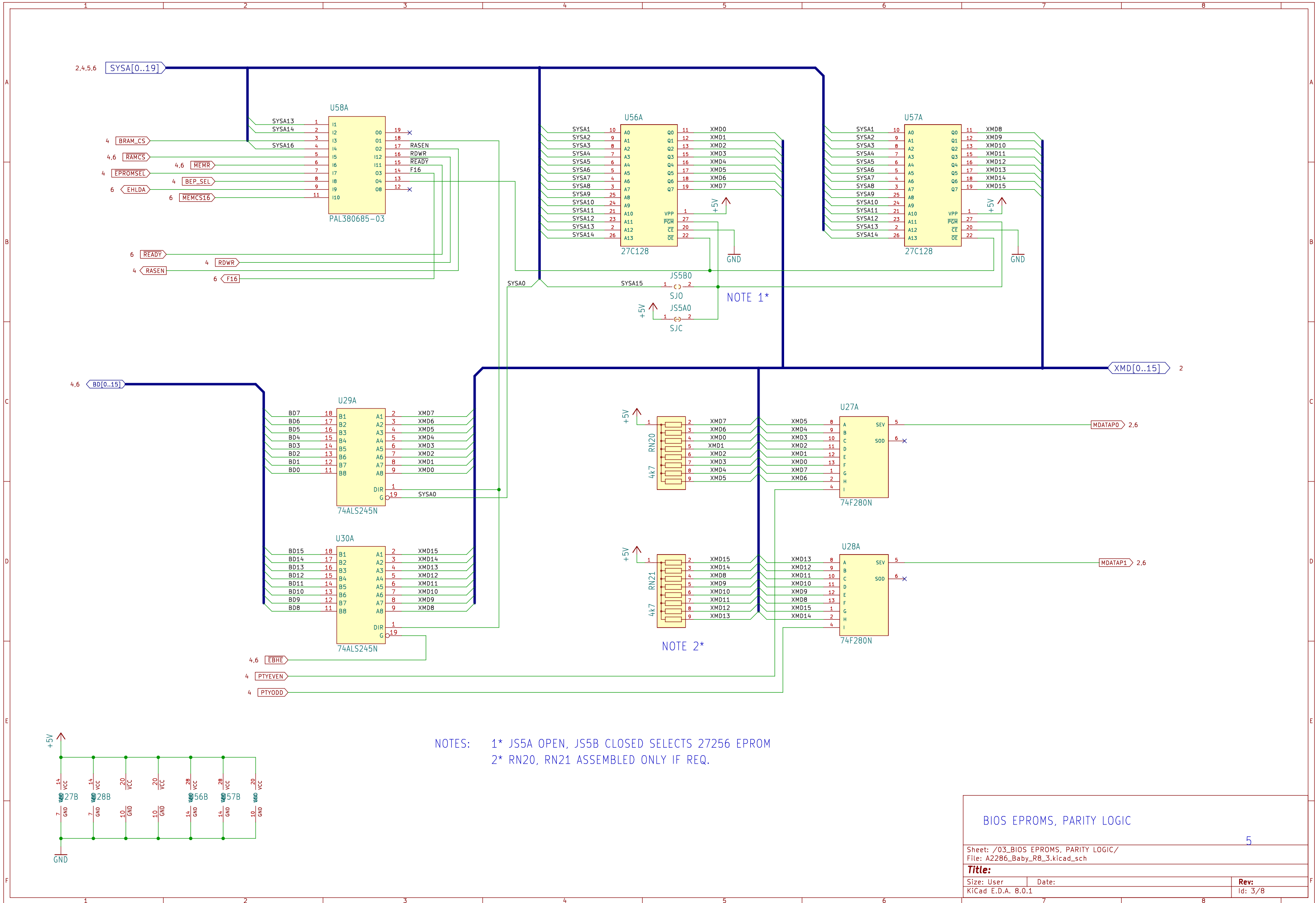
Size: User      Date:

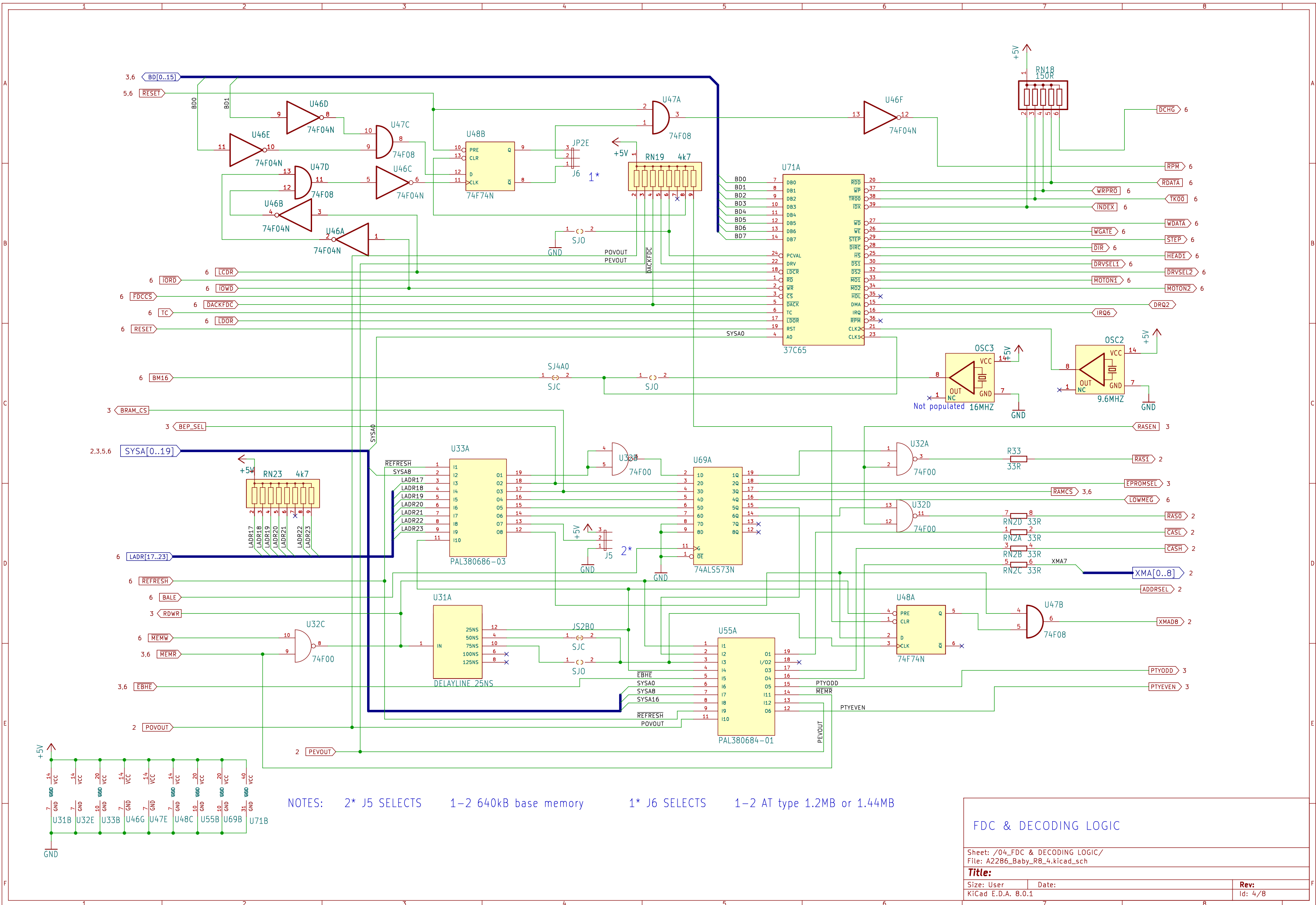
KiCad E.D.A. 8.0.1

**Rev:**  
Id: 1/8



1 MB DRAM		
Sheet: /02_1 MB DRAM/ File: A2286_Baby_RB_2.kicad_sch		
5		
<b>Title:</b>	Date:	Rev:
Size: A3	KiCad E.D.A. 8.0.1	Id: 2/8



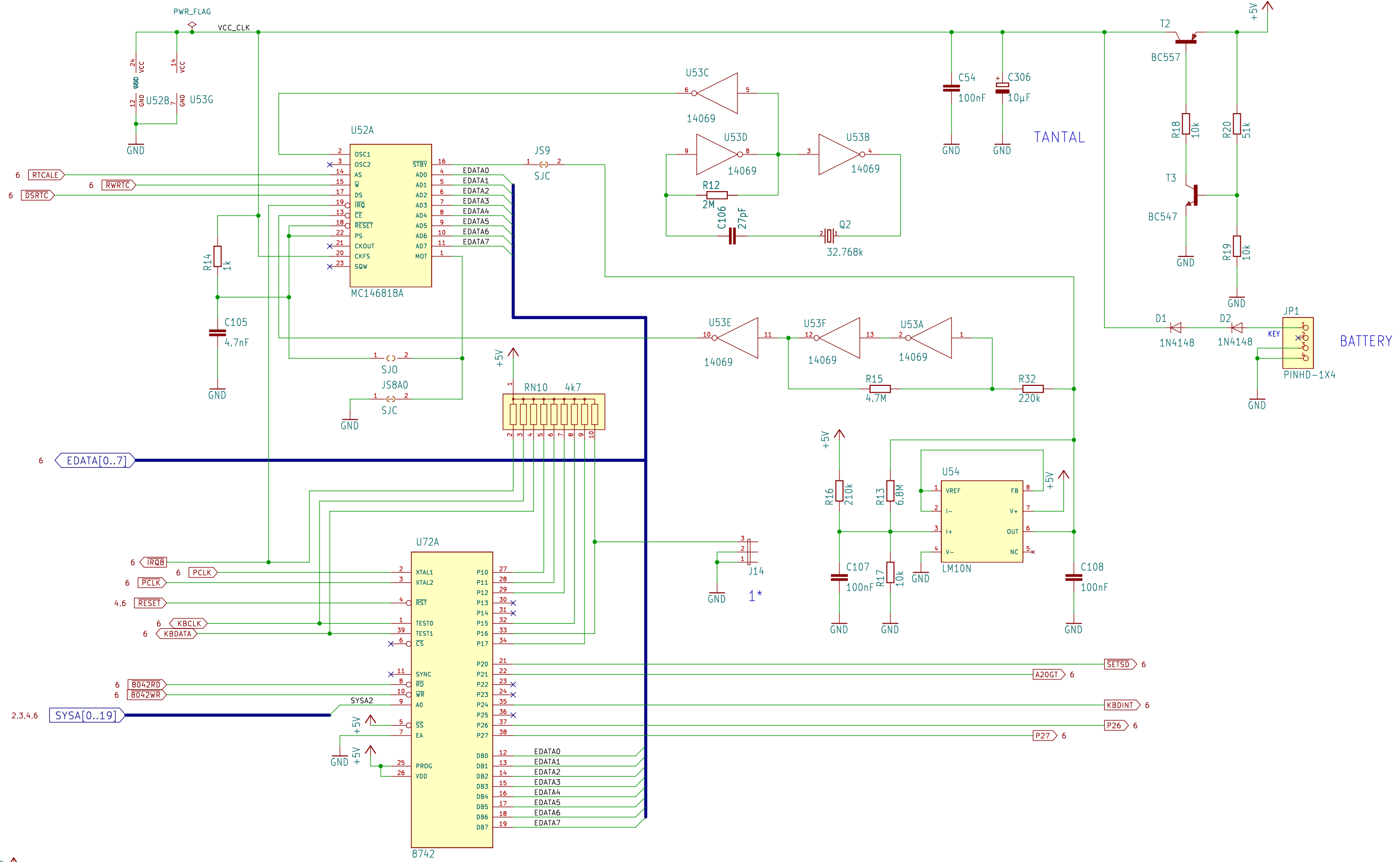


NOTES: 2\* J5 SELECTS 1-2 640kB base memory 1\* J6 SELECTS 1-2 AT type 1.2MB or 1.44MB

FDC & DECODING LOGIC

Sheet: /04\_FDC & DECODING LOGIC/  
 File: A2286\_Baby\_R8\_4.kicad\_sch

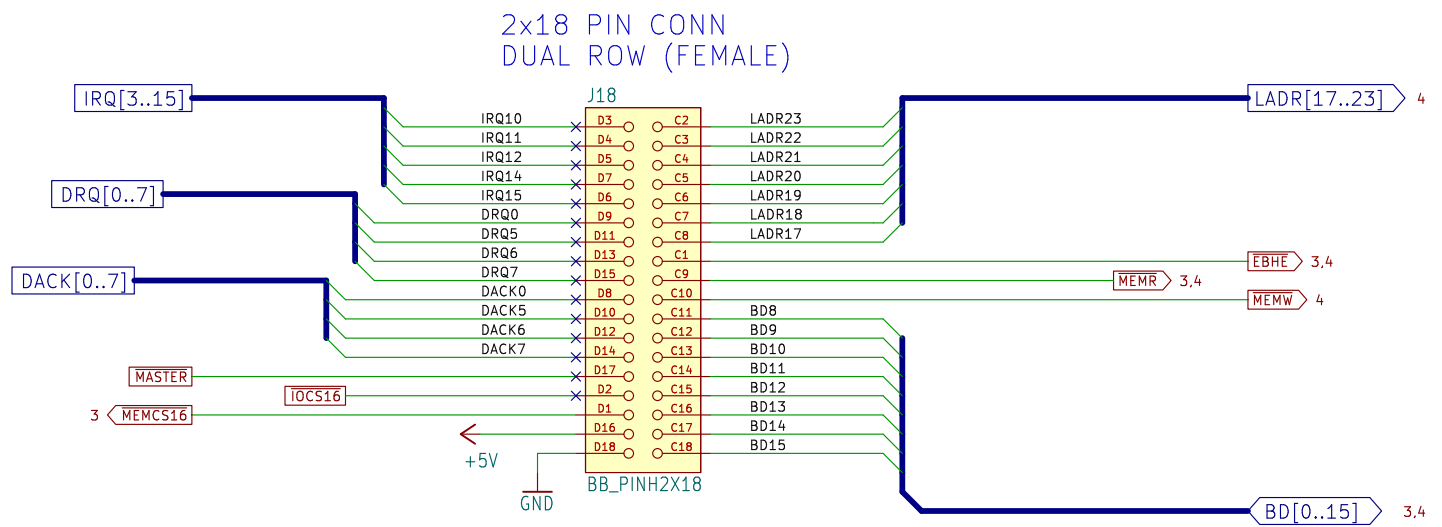
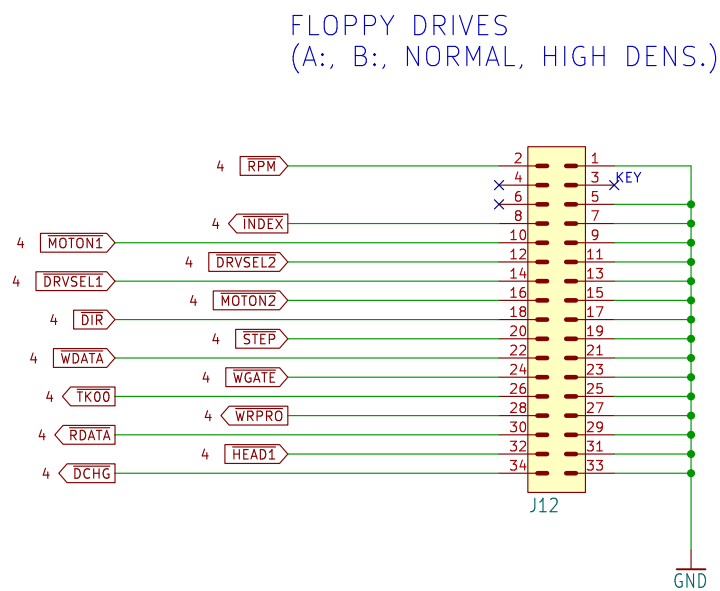
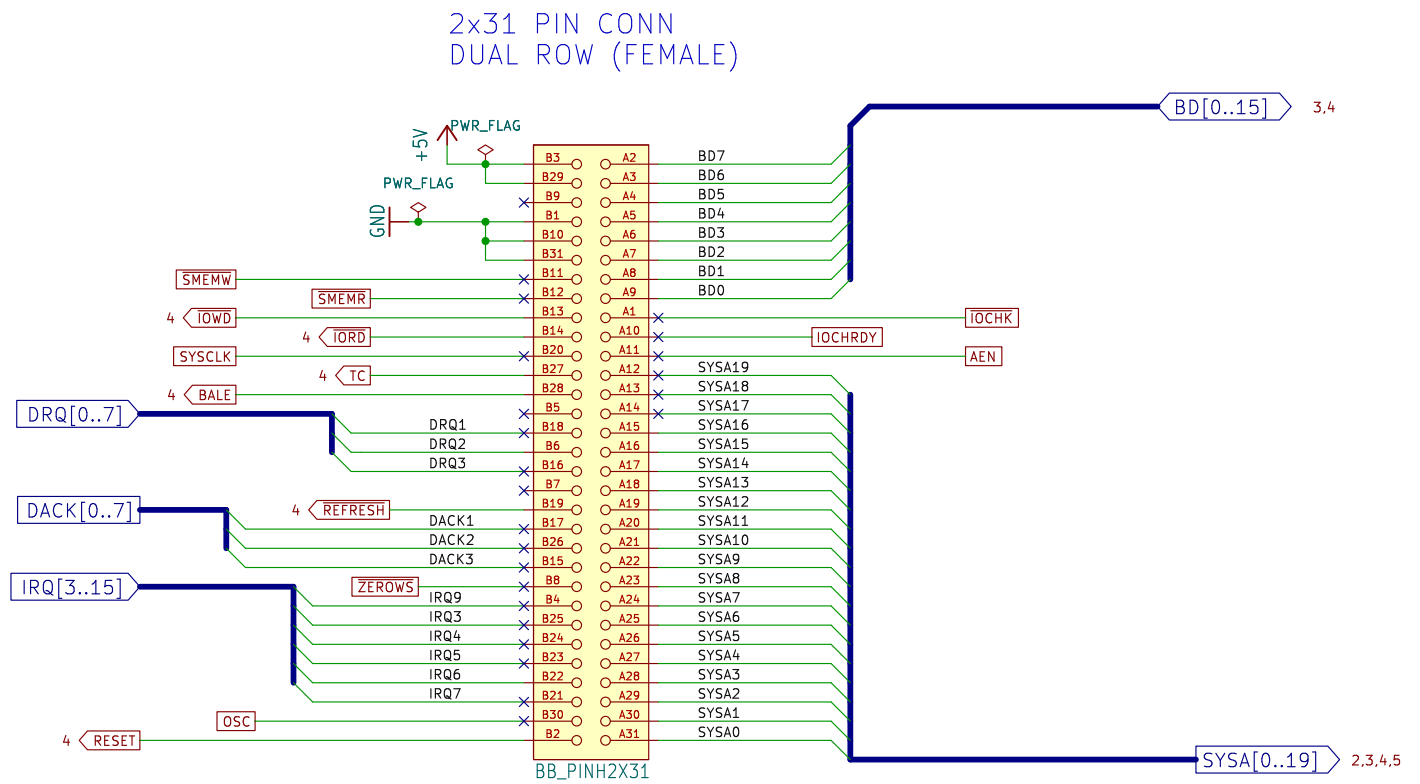
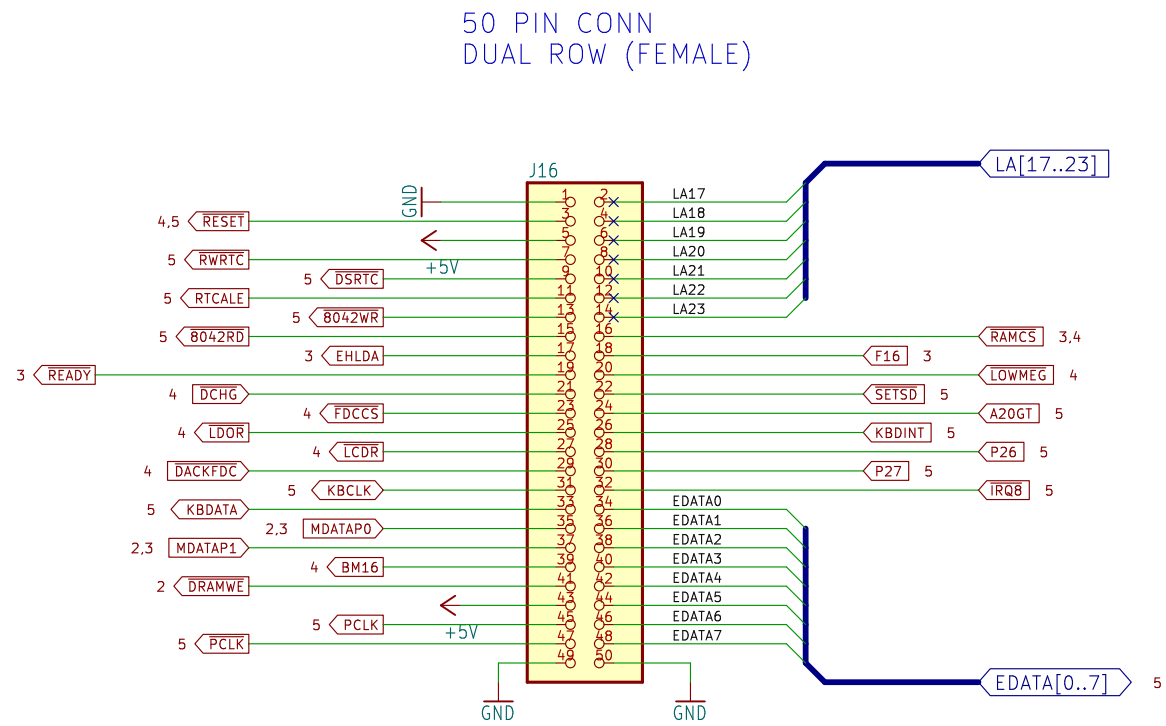
<b>Title:</b>			
Size: User	Date:		
KiCad E.D.A. 8.0.1	Rev:	Id: 4/8	

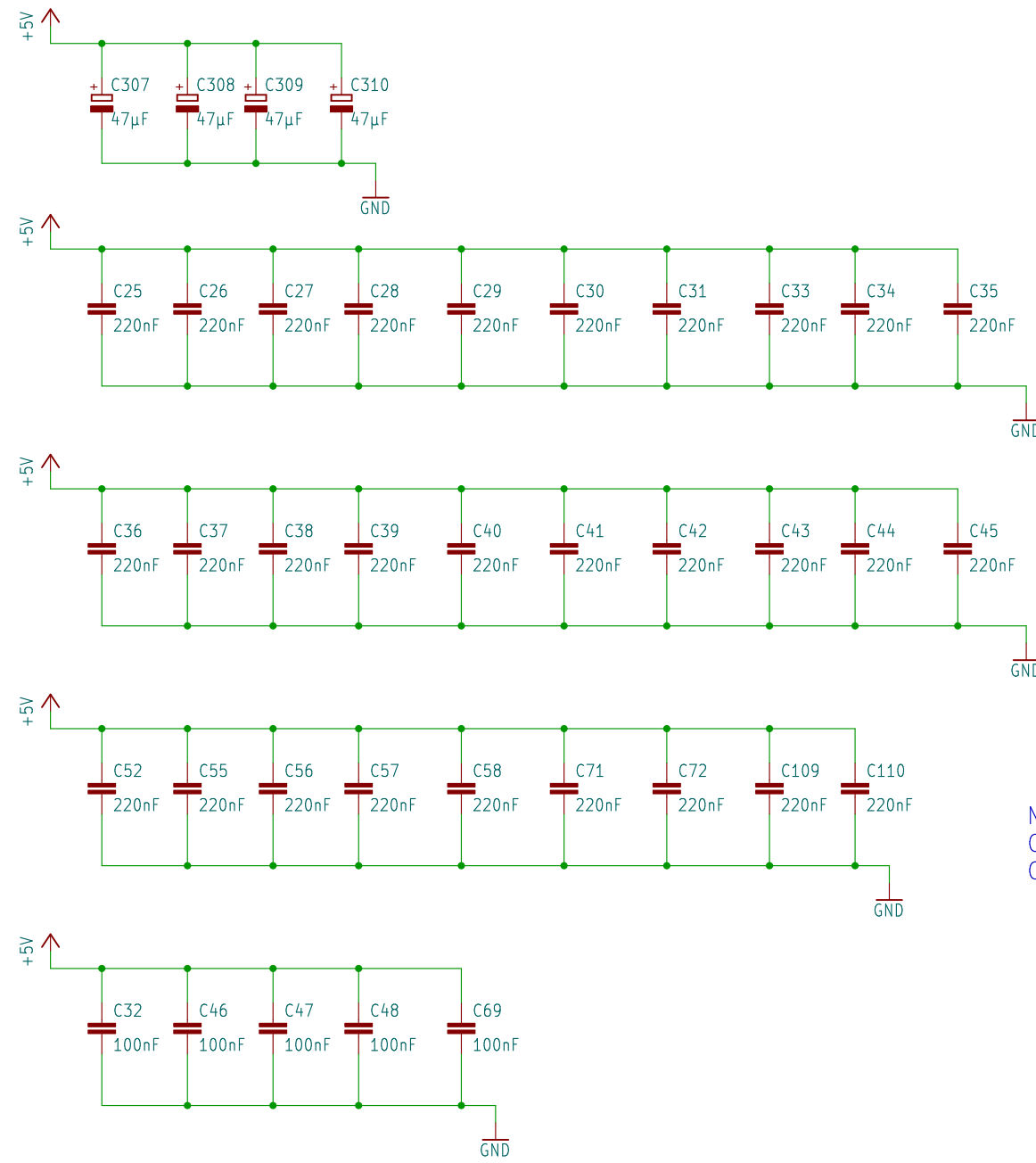


NOTES: 1\* J14 SELECTS VIDEO STARTUP MODE:  
 J14 1-4 CLOSED: MONOCHROM

RTC, KEYBOARD CONTROLLER		
Sheet: /05_RTC, KEYBOARD CONTROLLER/ File: A2286_Baby_R8_5.kicad_sch		
<b>Title:</b>		
Size: User	Date:	Rev:
KiCad E.D.A. 8.0.1		Id: 5/8







Block Caps 5V:  
 4 x 47µF / 16V  
 29 x 220nF  
 5 x 100nF

NOTES:  
 C109 IS BLOCK CAP TO OSC2  
 C110 IS BLOCK CAP TO OSC3

H1 MOUNT-HOLE3.0    H2 MOUNT-HOLE3.0

### BLOCK CAPS

Sheet: /07\_BLOCK CAPS/  
 File: A2286\_Baby\_R8\_7.kicad\_sch

**Title:**

Size: User    Date:

Rev:  
 Id: 7/8